



INTRALOGISTICS



PACKAGING




MACHINE TOOLS

PRODUCT PORTFOLIO AUSTRALIA



HAAKE LEUZE LUMBERG PINNACLE PIZZATO QLIGHT TR-ELECTRONIC TURTLE TOUGH WIKA

Interactive Guide

 Place cursor on each product for weblink

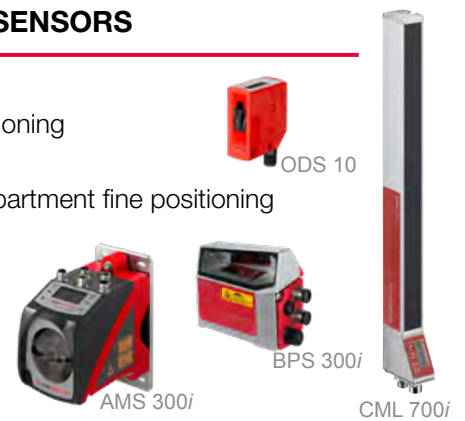
SWITCHING SENSORS

- Photoelectric/diffuse sensors, cubic housing
- Photoelectric/diffuse sensors, cylindric housing
- Inductive switches
- Capacitive sensors
- Fiber optic/ultrasonic sensors
- Light curtains
- Forked sensors
- Special sensors
- Double sheet monitoring/splice detection



MEASURING SENSORS

- Distance sensors
- Sensors for positioning
- 3D sensors
- Sensors for compartment fine positioning
- Light curtains
- Forked sensors



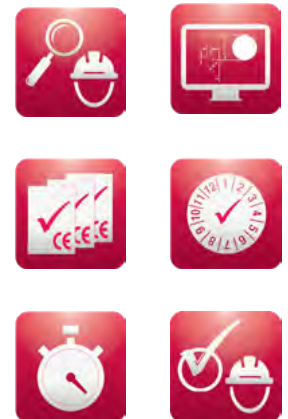
PRODUCTS FOR SAFETY AT WORK

- Safety laser scanners
- Safety light curtains
- Multiple light beam safety devices
- Protective sensor set and accessories
- Single light beam safety devices
- AS-i Safety product range
- Safety switches and safety locking devices
- Safety proximity sensors
- Safety command devices
- Safety relays
- Programmable safety controls



MACHINE SAFETY SERVICES

- Risk assessment
- Safety system design
- Circuit & analysis verification
- Safety training
- Stop time measurement
- Safety system validation



Contact us for more details:
sales@mitech.co.nz

IDENTIFICATION

- Stationary bar code readers
- Stationary 2D-code readers
- RFID systems
- Mobile code readers
- Modular connection units



INDUSTRIAL IMAGE PROCESSING

- Industrial IP camera
- Light section sensors
- Smart cameras



DATA TRANSMISSION

- Optical data transmission



CONNECTION TECHNOLOGY/ACCESSORIES

- Cables/Connectors
- Mounting systems
- Reflectors



LEUZE ELECTRONIC



XL Spot - Detection of slotted objects

25C Series

- Not sensitive to soiling - very high function reserve
- Immunity from external light interference - A²LS
- High environmental resistance: IP67, IP69K
- Chemical resistance tested in accordance with ECOLAB
- Operating temperature range: -40 °C – +60 °C
- Increased availability through warning output & activation input



Machine safety for personnel protection

RSL Profisafe

- Scanning angle of 270° and operating range of 8.25m
- Easy to mount, removable connection unit that remains secured in place when replacing the scanner
- 2 independent protective functions in one device
- PROFINET/PROFIsafe interface for simple integration in industrial networks

PIZZATO



Door guarding on pick and place machine

ST Series

- Cat. 4/PLe and SIL rated safety sensor
- Actuation without contact, using RFID technology
- Digitally coded actuator
- Protection degrees IP67 and IP69K
- 4 LEDs for status display of the sensor
- Actuators with various actuation distances
- **SM L•T** actuation distance 12 mm (front fixing)
- **SM D•T** actuation distance 12 mm (two-sided fastening)
- **SM L•T** actuation distance 20 mm (front fixing)



Detection of pallets of different size/condition

46C Series

- Very fine adjustment through mechanical adaptation for scanners with background suppression
- High environmental resistance: IP67, IP69K
- High operating ranges up to 150m
- Temperature range from -40 °C to +60 °C
- Large adjustment range through multiturn potentiometer

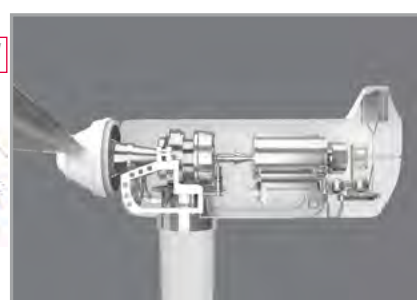


Multi-depth compartment occupation check

ODS110 Series

- Operating range up to 5 m on bright objects and 3 m on dark objects
- Repeatability < 5 mm
- Models with 2 switching outputs or analog output
- Simple configuration via teach buttons or IO-Link
- Easy alignment thanks to focused, highly visible red light laser

TR-ELECTRONIC



Application for wind turbine

CD_582+FS

- SIL 3/SIL 2 – PROFIsafe rotary encoder in industrial standard size 58 mm
- Redundant setup (Cat 4): two completely independent multiturn encoders in one.
- Option: Incremental interface (HTL, TTL, sin/cos)
- PROFINET encoder profile (V4.2): IRT, MRP, neighborhood recognition, TCI, reset switch, preset on the fly
- PROFIsafe profile (V2.6.1): Extended Protocol, shared device, dynamic IO configuration

☞ Place cursor on each brand logo for weblink

SUPPLIERS OF:



Trapped Key Interlocks
Safety Edges
Bump Strips
Safety Valve Interlocks



Power connectors
Sensor/Actuator connectors
Cables
Adapters



Safety Mats



Position Switches
Safety Switches/Modules
Foot Switches
Push buttons



Tower Lights
Beacons
Sirens
Limit Switches
Ex-proof signal devices



Rotary Encoders
Linear Encoders
Drives
Components



PH Sensors



Pressure Sensors
Temperature Sensors
Level Fluid Sensors
Pressure Transmitters



MITech Limited
60 Cawley Street
PO Box 11-813
Eilerslie 1542
Auckland
askmi@mitech.co.nz
Tel: +64 9 915 5555
www.mitech.nz